

Efficient Luminosity



HIGH BAY LIGHTING



● Fixture

- Heat resistant and high luminousness hood for high luminaire efficiency and uniform lumen output
- Special thermal design for longer lifespan
- IP Class: IP65 (ballast casting), IP54(lamp housing)

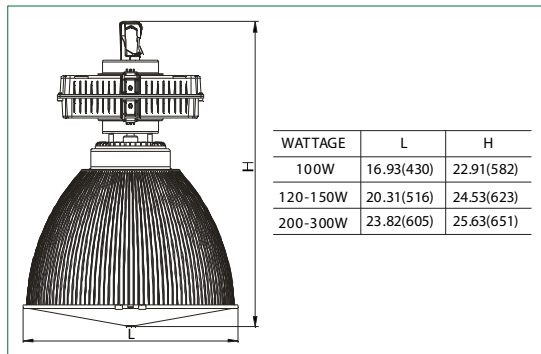
● Lamp and ballast

- 100-300W round type induction lamp with high lumen efficiency, high lumen maintenance, long lifespan and excellent CRI
- 100-300W electronic ballast with aluminum case features high power factor (>0.96), low energy loss and long lifespan

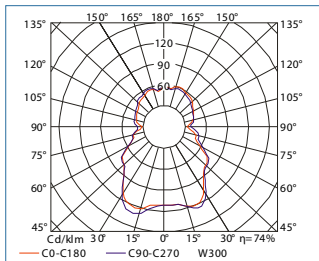
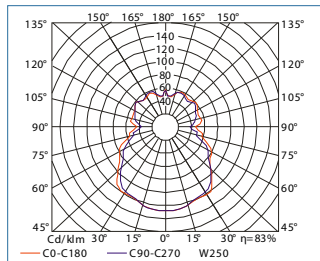
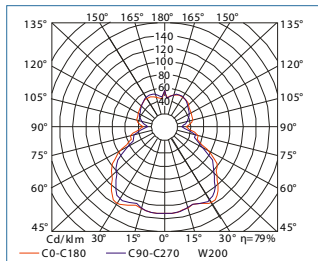
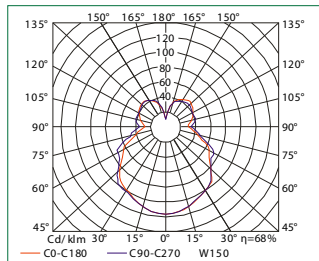
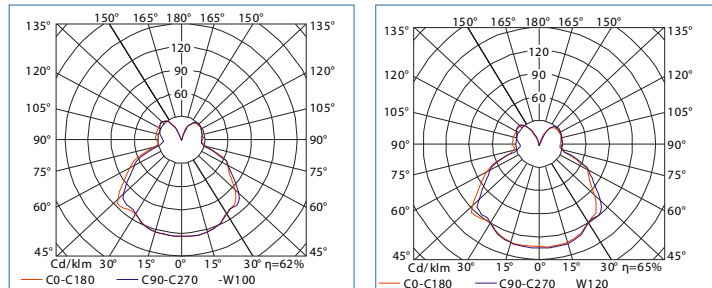
● Application

- Industrial factory, warehouse, stadium, airport, railway station, gas station, super-market and other indoor locations

● Dimensions [Unit: inch(mm)]



● Distribution curve flux



● Specifications

ERP NO.	MODEL	LAMP	WATTAGE (W)	BALLAST LOSS(W)	VOLTAGE (V)	CCT (K)	AMBIENT TEMPERATURE	INSTALLATION	REPLACE HPS LAMP(W)
	YML-GC01F-W100	WJY100H850W/T	100	<10	AC:120-277V AC:208-347V	5000	-20°C - 40°C -4°F - 104°F	Hook	175
	YML-GC01F-W120	WJY120H850W/T	120	<12					250
	YML-GC01F-W150	WJY150H850W/T	150	<15					320
	YML-GC01F-W200	WJY200H850W/T	200	<20					400
	YML-GC01F-W250	WJY250H850W/T	250	<25					400
	YML-GC01F-W300	WJY300H850W/T	300	<30					600

Note: The products with CCT 2700-6500K are available upon request