

## WALLPACK LIGHTING



### ● Fixture

- High-pressure die cast aluminum housing with powder coated finish for corrosion resistance
- Anodize aluminum reflector with special shape optimize light distribution
- Heat resistance and gas tight silicone rubber seal ensures high IP rating
- IP Class: IP 65

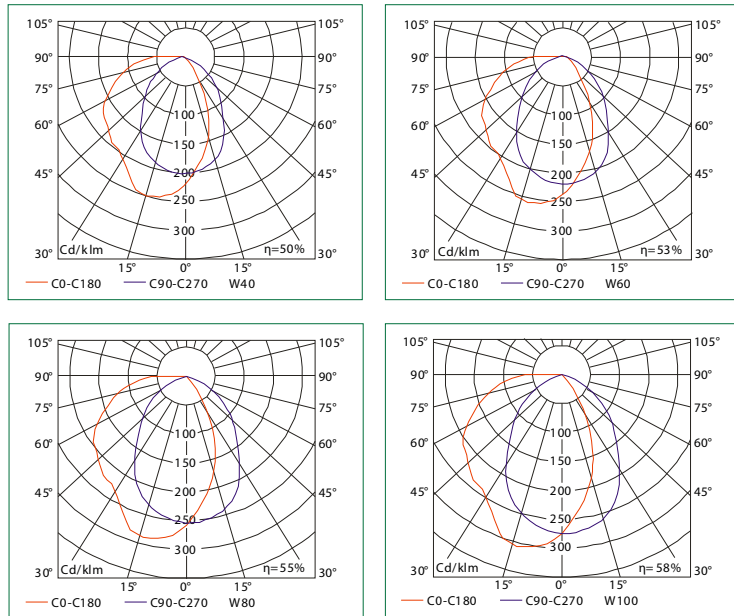
### ● Lamp and ballast

- 40-120W rectangle type induction lamp with high lumen efficiency, high lumen maintenance, long lifespan and excellent CRI of 80+
- 40-120W electronic ballast with profiled aluminum case features high power factor(>0.96), low energy loss and long lifespan

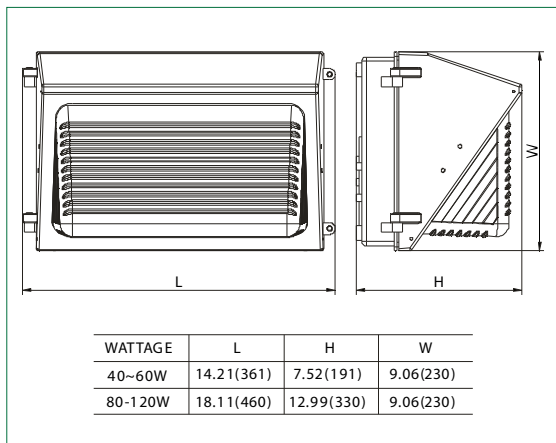
### ● Applications

- Parks, shopping mall, courtyard, historic areas

### ● Distribution curve flux



### ● Dimensions [Unit: inch(mm)]



### ● Specifications

ERP NO.	MODEL	LAMP	WATTAGE (W)	BALLAST LOSS(W)	VOLTAGE (V)	CCT (K)	AMBIENT TEMPERATURE	INSTALLATION	REPLACE HPS LAMP(W)
	WP-W40	40W	40	<4	AC:120-277V AC:208-347V	5000	-20°C - 40°C -4°F - 104°F	Perpendicular to the wall	70
	WP-W60	60W	60	<6					100
	WP-W80	80W	80	<8					150
	WP-W100	100W	100	<10					175
	WP-W120	120W	120	<12					250

Note: The products with CCT 2700-6500K are available upon request