

CANOPY FIXTURES

EIL-02



● Fixture

- Die cast aluminum housing and stretched aluminum gear box with powder for corrosion resistance
- High purity mirror aluminum reflector and high luminousness PC hood maximize lumen output
- Special designed structure for easy installation and shock resistance
- IP Class: IP43

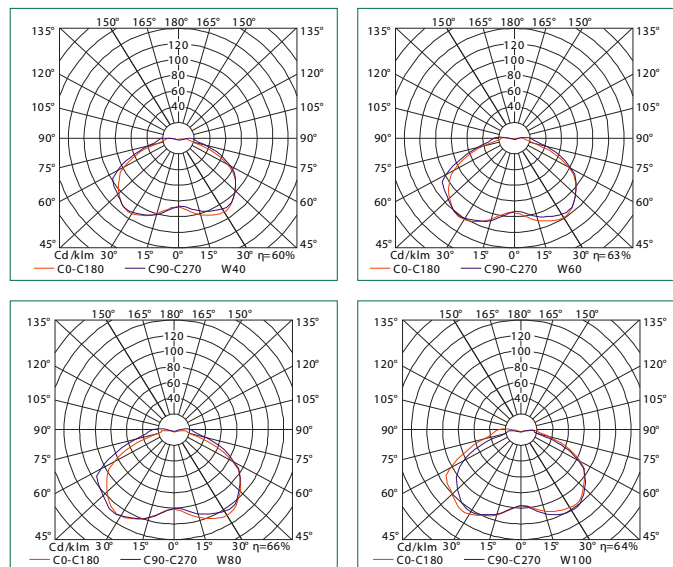
● Lamp and ballast

- 40-100W round type induction lamp with high lumen efficiency, high lumen maintenance, long lifespan and excellent CRI
- 40-100W electronic ballast with profiled aluminum case features high power factor(>0.96), low energy loss and long lifespan

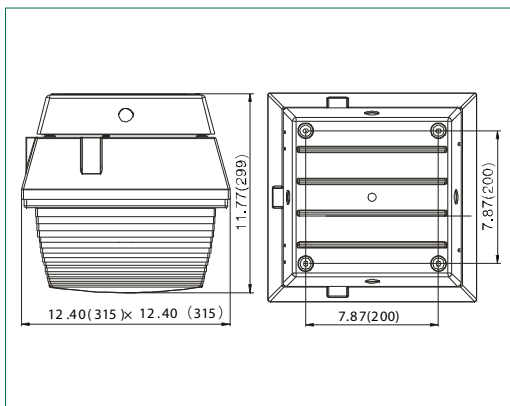
● Applications

- Parking lot, garage, gas stations, corridor, schools, shopping malls etc

● Distribution curve flux



● Dimensions [Unit: inch(mm)]



● Specifications

ERP NO.	MODEL	LAMP	WATTAGE (W)	BALLAST LOSS(W)	VOLTAGE (V)	CCT (K)	AMBIENT TEMPERATURE	INSTALLATION	REPLACE HPS LAMP(W)
	EIL-02-W40	40W	40	<4	AC:120-277V AC:208-347V	5000	-20°C - 40°C -4°F - 104°F	Roof mount	70
	EIL-02-W60	60W	60	<6					100
	EIL-02-W80	80W	80	<8					150
	EIL-02-W100	100W	100	<10					175-250

Note: The products with CCT 2700-6500K are available upon request