



Fixture

1. High-pressure die cast aluminum housing with powder-coated finish for corrosion resistance
2. Uniquely shaped, anodized aluminum reflector with optimal light distribution
3. Heat-resistant and gas tight rubber seal for high IP rating
4. IP Class: IP54

Lamp and Ballast

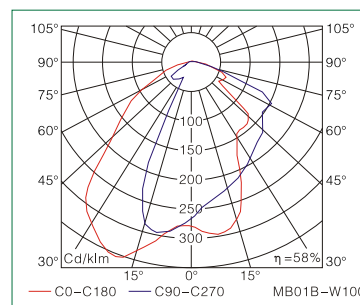
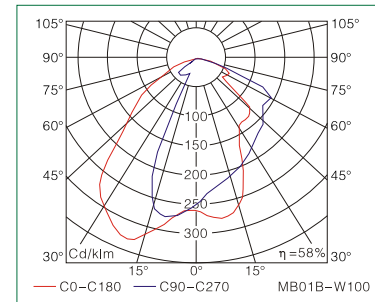
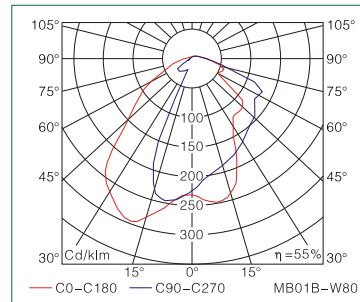
1. 80-120W rectangle type induction lamp with high lumen efficiency, high lumen maintenance, long lifespan, and excellent CRI
2. 80-120W electronic ballast with die cast aluminum case features high power factor (>0.96), low energy loss, and long lifespan

Applications

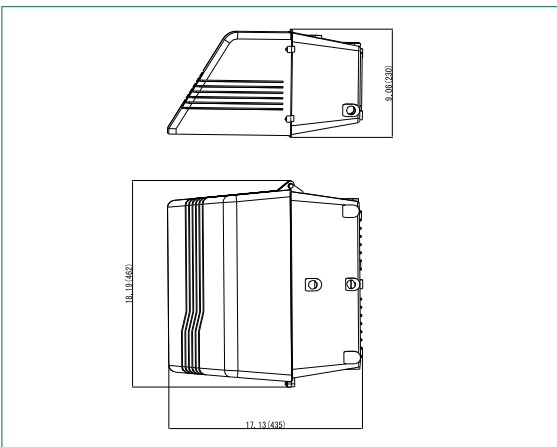
Parks, Shopping Malls, Courtyards, Historic Areas, etc.

Warning: Disable all power to the luminaire before conducting any maintenance or upgrade activity. Failure to do so will create a hazardous and fatal working environment.

Distribution Curve Flux



Dimensions [Unit: Inch(mm)]



Specifications

Model	Lamp	Wattage (W)	Ballast Loss (W)	Voltage (V)	CCT (K)	Ambient Temperature	Installation	Replace HPS Lamp (W)
MB01B-W80	80W	80	<8	AC:120-277V AC:208-347V	5000	-25 -40 °C -13 -104 °F	Perpendicular to the wall	150
MB01B-W100	100W	100	<10					175
MB01B-W120	120W	120	<12					250-400

Note: The products with CCT 2700-6500K are available upon request