

Efficient Luminosity

Post Top Lighting

1PT34 Series

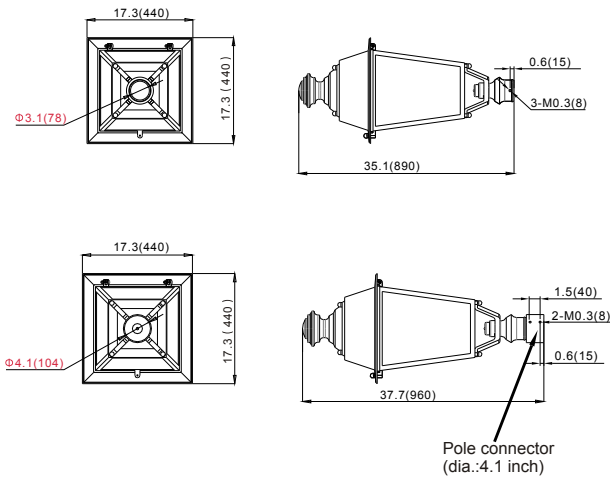


Applications

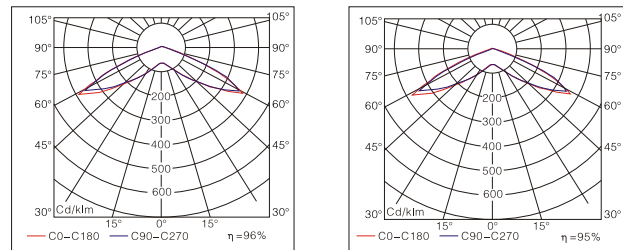
Parks, Shopping Malls, Courtyards, Historic Areas, etc.

- Structure: distinct design with retro appearance.
- LENS: high light transmittance PC lens with efficiency up to 93%-95%, anti-UV oxidation.
- Beam angle: 140°
- Lampshade: transparent PC, anti-UV
- Housing: die casting aluminum housing with excellent heat dissipation, surface treated with powder coated finish for corrosion and static resistance.
- Installation: pole mounting
- Input voltage: 100-277 VAC, 50/60 HZ
- IP class: IP 65

Dimension [Inch(mm)]

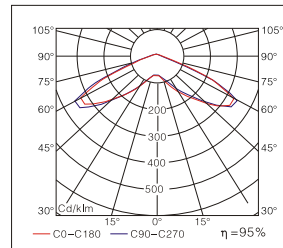


Distribution Curve Flux

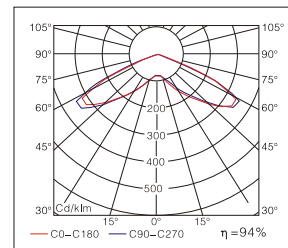


-1PT34-25-750

-1PT34-40-750



-1PT34-60-750



-1PT34-80-750

Ordering Information

Example: -1PT34-25-750-B-140-1

Company code	Voltage	Type	Power	Ra	Colour Temp.	Colour Options	Optic	Options
	1 100~277VAC	PT 34	25 25W (2750Lumens)	7	27 2700K	B Black (standard) C Coffee S Silver	140 140°	1 0~10V dimming 2 Timing dimming 3 Occupancy sensor (dimming control/ on off control) 4 Photocell
	2 200~240VAC		40 40W (3880Lumens)	8	30 3000K			
	3 100~120VAC		60 60W (5760Lumens)	9	40 4000K			
	4 277~480VAC		80 80W (7040Lumens)	90	50 5000K			
	5 347~480VAC				57 5700K 65 6500K			